



THE  
**STERLINGHAM**  
COMPANY LIMITED

HOTELS RESIDENTIAL MARINE



The Sterlingham collection of towel warmers delivers emblematic English Edwardian and modern classic designs together with impressive low-energy heating technology.

Certain models are also made in hot water versions or low voltage (12v or 24v)

The choice of models is augmented by our bespoke service for clients' specific requirements on size and quantity of rails.

Indeed every Sterlingham product is hand made to order.

Each individual heating element is tailored to fit and exhaustively tested including immersion in water.

Sterlingham towel warmers are installed in prestigious hotels, royal residences, palaces, private residences, pleasure boats, recreational vehicles and superyachts.

## ADVANTAGES OF LOW-ENERGY ELECTRIC MODELS

- Simple installation.
- The power supply cable is invisible, safely hidden within the wall or under the floor.
- The cable can exit from your choice of any of the 4 wall or floor fixing points.
- All our Towel Warmers are hand built to order. Most of our work is in fact bespoke.
- Any height, width or number of rails
- Our Low-energy Towel Warmers operate at a constant output which can be controlled from outside the bathroom with a good quality dimmer switch.
- Independent of hot water heating
- No valves to purchase for low-energy models
- Quality guarantees
- Made In England



Sterlingham Towel Warmers are as warm as hot water or other towel warmers. Of course, how warm the heated rails feel to the touch will depend on the ambient temperature in the bathroom and the sensitivity of the individual. The warmer the bathroom the warmer the appliance will feel. A good quality dimmer switch located outside the bathroom is recommended to provide control and reduce output if desired for example during warm spells.

We have a long-established reputation for manufacturing products of the highest quality and offer the following Two Year Full Replacement Guarantee

Given satisfactory evidence of the date of purchase, we will, during the first two years, replace or rectify any fault to the product as a whole without charge. After this time, any fault developing in the heating element alone will be rectified by replacing it at our works at the nominal cost to the customer of labour, materials and transportation. In both instances, no attempt must have been made to dismantle the appliance because of potential damage to the element rendering it un-testable. We cannot accept liability for damage caused by installers, in particular where the installer has strained the supply cable causing its connection with the heating element to fail. (The appliance bears Warning notices to this effect). We cannot accept liability for damage to plated surfaces resulting from the use of proprietary cleaning materials. A soft cloth dampened with soapy water followed by gentle dry buffing is all that is required to maintain the lustre.



## STOURTON

With all our all low-energy electric models there is a choice of position for the supply cable and its length.

The cable exits the appliance from the centre of the mounting flange and you may specify whether you prefer a top left or right exit or bottom left or right. The cable is hidden in the wall or under the floor. All 32mm models are fitted with 82mm diameter wall and floor fixing flanges.

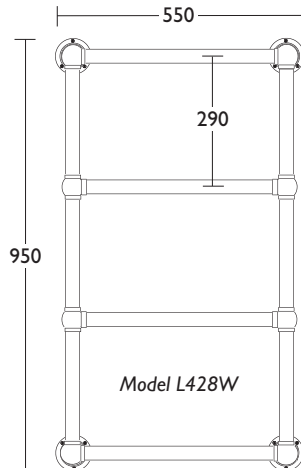
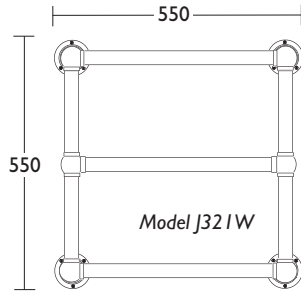
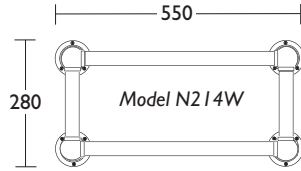
A good quality dimmer switch can be fitted to control output. We recommend the cable is run to a fused spur and you can specify what cable length you need in order to connect to it.

A selection of standard models are shown as drawings on the page opposite and the table below. The permutations are endless and we believe it best to offer clients a bespoke service to match their requirements exactly rather than restrict them to standard sizes alone.

◀ *Bespoke Stourton with straight joints and 5 Rails*

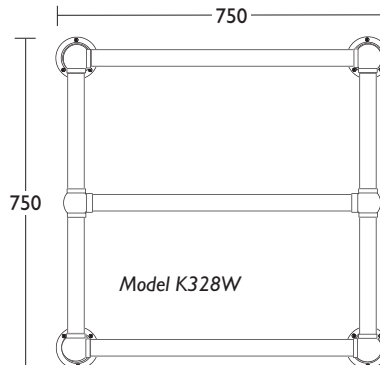
	Overall Height mm	Overall Width mm	No. Of Rails	Ball Joints	Straight Joints	Bespoke Options	Tube Size mm	Low Energy Electric	12v	24v	110v	220/230v	Hot Water
J321W	550	550	3	Yes	Yes	Yes	32	Yes	✓	✓	✓	✓	✓
K328W	750	750	3	Yes	Yes	Yes	32	Yes	✓	✓	✓	✓	✓
L428W	950	550	4	Yes	Yes	Yes	32	Yes	✓	✓	✓	✓	✓
M435W	950	750	4	Yes	Yes	Yes	32	Yes	No	✓	✓	✓	✓
N214W	280	600	2	Yes	Yes	Yes	32	Yes	✓	✓	✓	✓	✓
O221W	280	950	2	Yes	Yes	Yes	32	Yes	✓	✓	✓	✓	✓





## options

- Ball Joints
- Straight Joints
- Low-energy Electric
- 230v
- 110v
- 12v
- 24v
- Power to any corner
- Cable length as required
- Hot water alternative
- Bespoke sizes
- Choice of finishes



Model J321W

3 Rail	550 x 550	J321W	8-208	57 watts
3 Rail	750 x 750	K328W	8-209	76 watts
4 Rail	950 x 550	L428W	8-210	76 watts
4 Rail	950 x 750	M435W	8-211	95 watts
2 Rail	280 x 600	N214W	8-212	38 watts
2 Rail	280 x 950	O221W	8-213	57 watts



## ENville

With all our all low-energy electric models there is a choice of position for the supply cable.

The cable exits the appliance from the centre of the mounting flange and you may specify whether you prefer a top left or right exit or bottom left or right. Enville models provide the option of taking the cable through the wall or under the floor. Whichever is chosen the cable will not be seen.

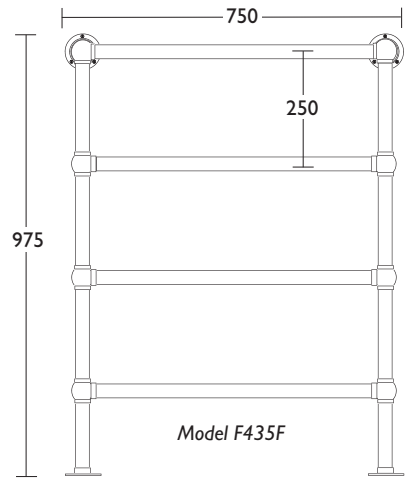
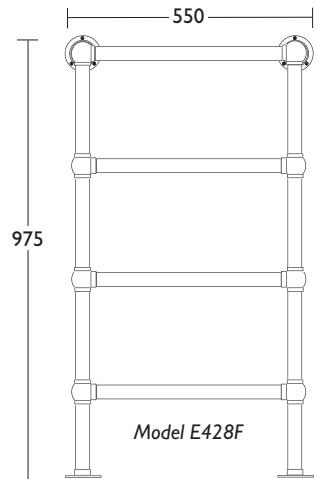
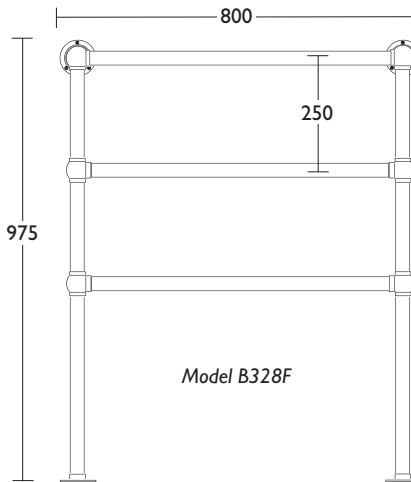
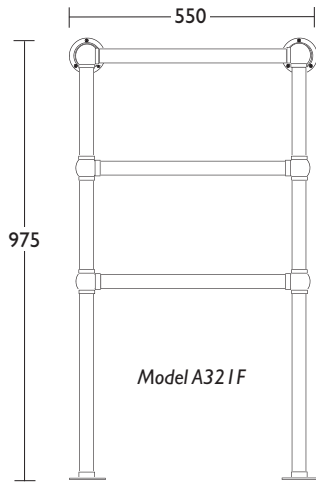
A good quality dimmer switch can be fitted to control output. We recommend the cable is run to a fused spur and you can specify what cable length you need in order to connect to it. A selection of standard models is shown as

◀ *Model F435F*

		Model	Code	Wattage
3 Rail	975 x 550	A321F	8-200	57 watts
3 Rail	975 x 800	B328F	8-201	76 watts
3 Rail	975 x 1000	C335F	8-202	95 watts
3 Rail	975 x 1250	D342F	8-203	113 watts
4 Rail	975 x 550	E428F	8-204	76 watts
4 Rail	975 x 750	F435F	8-205	95 watts
4 Rail	975 x 875	G442F	8-206	113 watts
4 Rail	975 x 1075	H449F	8-207	132 watts

drawings on the page opposite and in the table below. The permutations are endless and we believe it best to offer a bespoke service to match your requirements exactly rather than restrict choice to standard sizes alone.



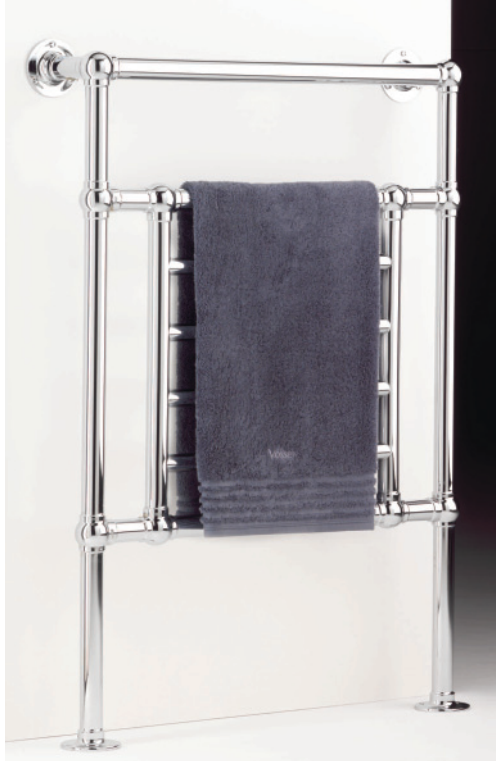


# ENVILLE

## options

- Ball Joints
- Straight Joints
- Low-energy Electric
- 230v
- 110v
- 12v
- 24v
- Power to any corner
- Cable length as required
- Hot water alternative
- Bespoke sizes
- Choice of finishes including polished chrome, polished or satin nickel and gold

To obtain an online quotation for bespoke towel warmers visit : <http://www.bathroom-fittings.com/towel-warmer-form>



## SUITEART

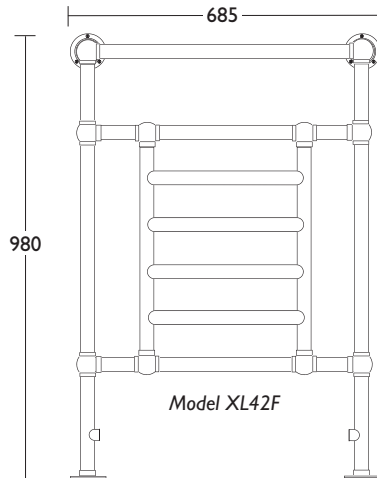
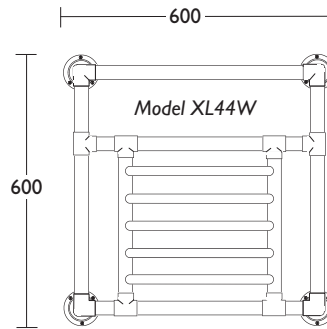
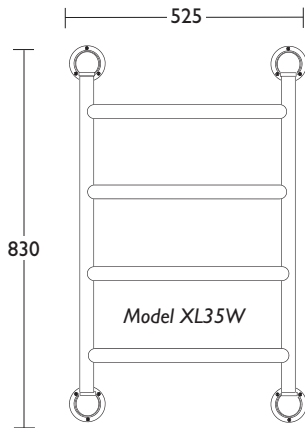
The possibilities of Stourton and Enville are further developed with the addition of a central group of rails in a grill pattern.

As always we are totally flexible in the production of SuiteArt to bespoke requirements.

Model	Code	Wattage
XL42F	8-800	113 watts
XL35W	8-850	95 watts
XL44W	8-870	108 watts

◀ Model XL42F

	Overall Height mm	Overall Width mm	No. Of Rails	Ball Joints	Straight Joints	Bespoke Options	Tube Size mm	Low Energy Electric	12v	24v	110v	220/230v	Hot Water
XL35W	830	525	4	Yes	Yes	Yes	32	Yes	No	No	✓	✓	✓
XL42F	980	685	7	Yes	Yes	Yes	32	Yes	No	No	✓	✓	✓
XL44W	600	600	8	Yes	Yes	Yes	32	Yes	No	No	✓	✓	✓



## options

- Ball Joints
- Straight Joints
- Low-energy Electric
- 230v
- 110v
- Power to any corner
- Cable length as required
- Hot water alternative
- Bespoke sizes
- Choice of finishes including polished chrome, polished or satin nickel and gold



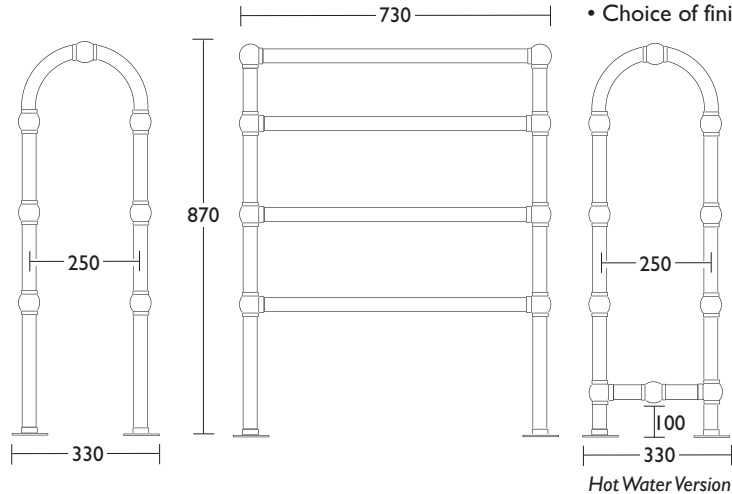
Model XL44W



Model FSTW Code 8-225 162 watts

## STRAND TOWEL HORSE

The supply cable for Strand low-energy electric versions exits from the centre of whichever foot flange is chosen and is hidden under the floor. Conduit provision should be made particularly in solid floors.

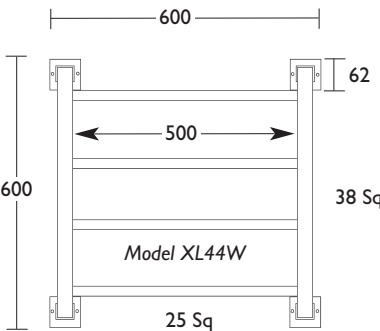


### options

- Ball Joints
- Straight Joints
- Low-energy Electric
- 230v
- 110v
- Cable length as required
- Hot water alternative
- Bespoke sizes
- Choice of finishes

	Overall Height mm	Overall Width mm	No. Of Rails	Ball Joints	Straight Joints	Bespoke Options	Tube Size mm	Low Energy Electric	12v	24v	110v	220/230v	Hot Water
--	-------------------	------------------	--------------	-------------	-----------------	-----------------	--------------	---------------------	-----	-----	------	----------	-----------

FSTW	870	730	7	Yes	Yes	Yes	32	Yes	No	No	✓	✓	✓
------	-----	-----	---	-----	-----	-----	----	-----	----	----	---	---	---



options

- Low-energy Electric
- 230v
- 110v
- Cable length as required
- Power to any corner
- Bespoke sizes
- Choice of finishes

The wall mounted Metro towel warmer employs hand fabricated fixings and 38mm square tubular sides mitred and silver soldered by hand. The rails are 25mm square.



Model XMETW Code 8-901 81 Watts

Overall Height mm	Overall Width mm	No. Of Rails	Ball Joints	Straight Joints	Bespoke Options	Tube Size mm	Low Energy Electric	12v	24v	110v	220/230v	Hot Water
600	600	4	No	Mitred	Yes	38 & 25 Sq.	Yes	No	No	✓	✓	No





Model TU5

## TURA

Three and four rail TURA models were originally designed to appeal to owners of motor boats, canal boats, yachts and recreational vehicles including caravans — hence the name was derived from “tourer”.

TURA is eminently suitable for the contemporary bathroom.

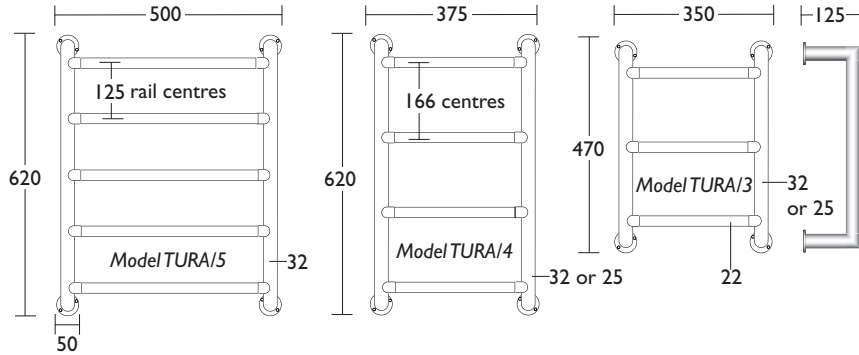
Like Metro the side tubes are mitred and silver soldered by hand. Rail tubes are 22mm diameter and as always we can make TURA to bespoke requirements.

Model	Code	Wattage
TU3	8-953	38 watts
TU4	8-964	52 watts
TU5	8-975	80 watts

## options

- Low-energy Electric
- 230v
- 110v
- 12v
- 24v
- Power to any corner
- Cable length as required
- Bespoke sizes
- Choice of finishes including polished chrome, polished or satin nickel and gold

	Overall Height mm	Overall Width mm	No. Of Rails	Joints	Bespoke Options	Tube Size	Low Energy Electric mm	12v	24v	110v	220/230v
TURA/3	470	350	3	Mitred	Yes	32 & 22 or 25 & 22	Yes	✓	✓	✓	✓
TURA/4	620	375	4	Mitred	Yes	32 & 22 or 25 & 22	Yes	✓	✓	✓	✓
TURA/5	620	500	5	Mitred	Yes	32 & 22 or 25 & 22	Yes	✓	✓	✓	✓





## CHURCHILL

Churchill wall mounted towel warmer models are constructed with 38mm tube and fittings. It should be noted that the fittings are considerably bulkier than our 32mm Stourton and Enville models giving a “chunky” appearance suited to the period bathroom where plumbing is accentuated.

T2424W 8-218 65 watts

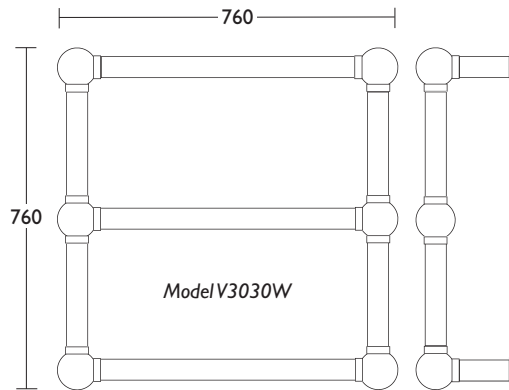
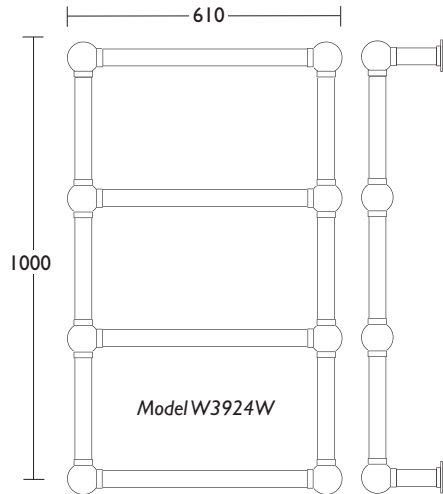
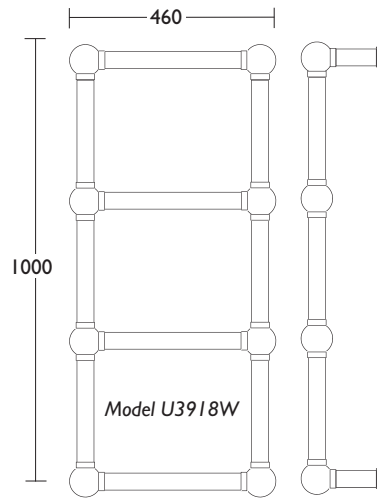
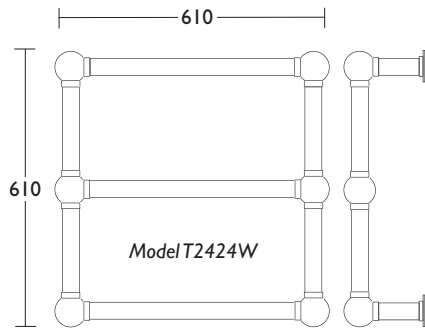
V3030W 8-220 81 watts

U3918W 8-219 81 watts

W3924W 8-221 95 watts

◀ Model V3030W

	Overall Height mm	Overall Width mm	No. Of Rails	Ball Joints	Straight Joints	Bespoke Options	Tube Size mm	Low Energy Electric	12v	24v	110v	220/230v	Hot Water
T2424W	610	610	3	Yes	No	Yes	38	Yes	No	No	✓	✓	No
V3030W	760	760	3	Yes	No	Yes	38	Yes	No	No	✓	✓	No
U3918W	1000	460	4	Yes	No	Yes	38	Yes	No	No	✓	✓	No
W3924W	1000	610	4	Yes	No	Yes	38	Yes	No	No	✓	✓	No





## blakedown

Blakedown floorstanding towel warmer models are constructed with 38mm tube and fittings. It should be noted that the fittings are considerably bulkier than our 32mm Stourton and Enville models giving a “chunky” appearance suited to the period bathroom where plumbing is accentuated.

P3924F 8-214 65 watts

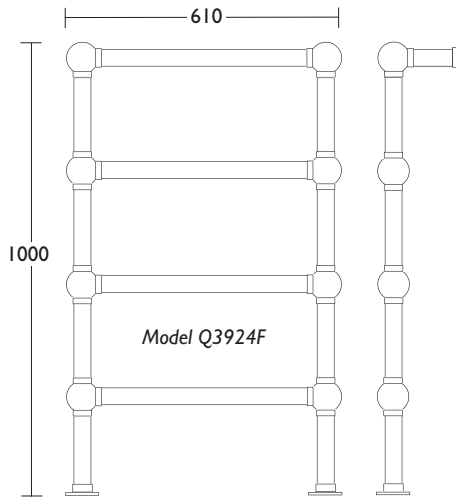
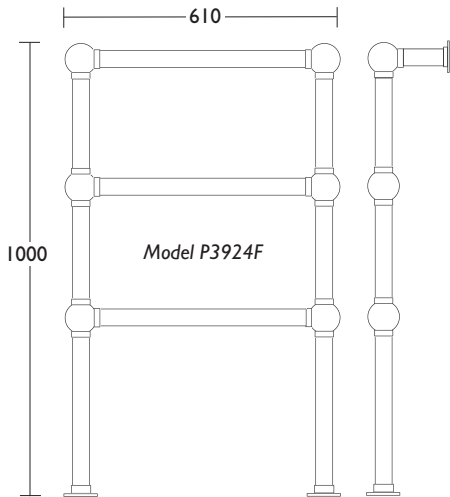
R3930F 8-216 76 watts

Q3924F 8-215 81 watts

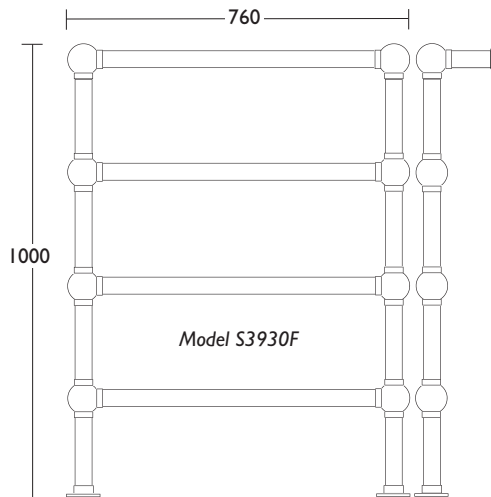
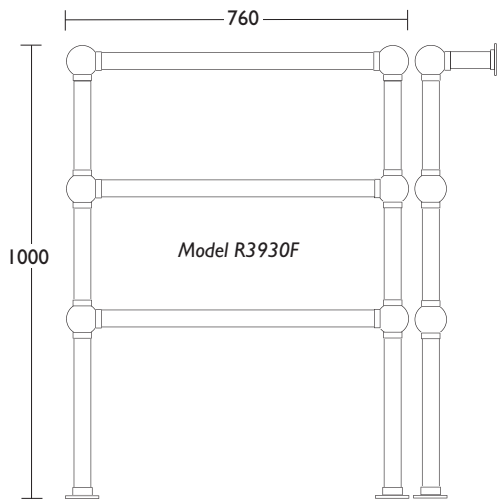
S3930F 8-217 97 watts

◀ *Model S3930F*

	Overall Height mm	Overall Width mm	No. Of Rails	Ball Joints	Straight Joints	Bespoke Options	Tube Size mm	Low Energy Electric	12v	24v	110v	220/230v	Hot Water
P3924F	1000	610	3	Yes	No	Yes	38	Yes	No	✓	✓	✓	No
R3930F	1000	760	3	Yes	No	Yes	38	Yes	No	✓	✓	✓	No
Q3924F	1000	610	4	Yes	No	Yes	38	Yes	No	✓	✓	✓	No
S3930F	1000	760	4	Yes	No	Yes	38	Yes	No	✓	✓	✓	No



blakedown



# bespoke work

When a product is required to be specifically tailored and combined with best quality we are here to help as much as possible on professional and personal levels. This service is not known to be available for goods imported from overseas. We can produce drawings for client approval, often based on limited information, to ensure we interpret your requirements accurately. Short deadlines are not helpful so whether ordering standard models or bespoke sizes please bear in mind that we only make to order and this can take three to six weeks.



Here we picture a Stourton wall mounted towel warmer with ball joints which were modified to the clients' requirements.

Our standard finishes include Chrome, Polished Nickel and Polished (un-lacquered) Brass. Other finishes include Antique Gold, Copper and Satin Nickel. Natural Brass and Copper will develop a patina over time or can be kept shiny with metal polish. Nickel will also darken. Other finishes should be maintained with a soft cloth dampened with soapy water then gently buffed dry with a soft cloth.

We can also match to samples of bronze finishes etc. Here we picture the same towel warmer finished in Antiqued Brass, a finish that is clear powder coated to preserve it.

Sterlingham products are 100% British, hand-made at our Stourbridge factory.





## BATHROOM MIRRORS

# BATHROOM MIRRORS



Fixed Mirror

400 x 600

600 x 800

750 x 900

*Maybe mounted vertically or horizontally*



Oval Mirror

762 high x 712 overall width.



Rectangular Mirror

762 high x 712 overall width.

## BATHROOM MIRRORS



Round Mirror

*520 high x 620 overall width.*



Square Mirror

*508 high x 610 overall width.*



Frameless Oval Mirror

*795 high x 710 overall width.*

Our Bathroom Mirrors with side mounting brackets are Tilt-adjustable with locking wheels and have bevelled mirror glass. Only the Oval Mirrors are not available to bespoke sizes.



## EXTENDING SHAVING MIRROR

The Extending Shaving & Make-up mirror is the quintessential grooming accessory.

A host of individually hand polished components are assembled after plating so that the "concertina action" is dependably smooth and reassuringly solid. The mirror is reversible with one side magnifying 3X and its height can be adjusted and locked with a knurled finger screw.

*Choice of exposed screws as pictured or concealed fixings*

## PIVOTING SHAVING MIRROR

A pretty alternative to our Extending model, with a reversible mirror, one side magnifying 3X.

The mirror folds flat to the wall and further adjustment is made with the rotating stirrup which may be locked in place with the thumb and finger screw.

*Choice of exposed screws as pictured or concealed fixings*



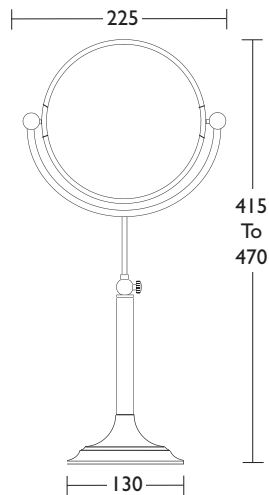
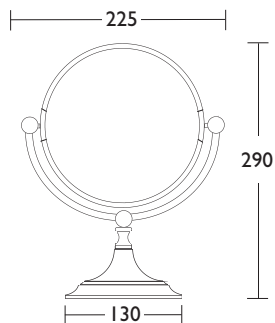
# FREESTANDING TABLE MIRROR - TALL



## FREESTANDING TABLE MIRROR

With their unsurpassed quality and weight the design of our two free standing table top mirrors suits all bathroom styles and/or dressing tables.

Both have reversible mirrors with one side magnifying 3X. The taller version may be adjusted for height and locked in position with a knurled thumb/finger screw.







## PAPER HOLDER - SPRING LOADED

Our Paper Holder features a double ended spring loaded roller mounted between two classically styled brackets which co-ordinate with many of our other accessories such as Towel Rails.

Combining numerous individual lathe turned parts with heavy gauge brass tube all components of the Sterlingham paper holder are individually hand polished and are assembled after plating. In this way we ensure that each part is plated to perfection and the finished product is far superior to diecast fittings.

The Sterlingham spare roll holder can also be ordered for horizontal mounting as a single-bracket version of our paper holder.

*Choice of exposed screws as pictured or concealed fixings*



## TUMBLER & HOLDER

Our bone china is locally sourced. In common with our Soap Dish we mount the Tumbler into a holder that provides defence against accidental displacement.

We can produce special versions such as a double tumbler holder.



## SOAP DISH

The bone china dish rests within our hand-made oval frame. This incorporates an anchor point for the dish helping to prevent accidental displacement. The frame is wall mounted with a co-ordinating bracket of lathe turned components.





## DELUXE CORNER BASKET

This basket makes convenient use of bath side or shower room corner space.

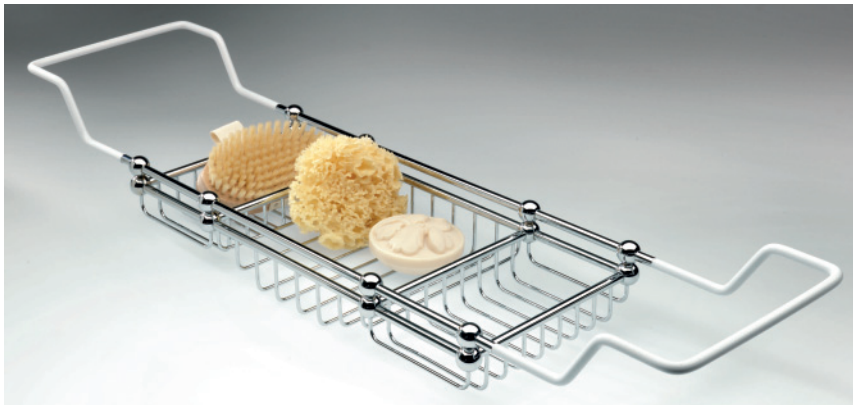
Sterlingham soap baskets, sponge baskets and bath-racks are amongst the most labour intensive in our product collection. The basket “wires” are individually hand bent and checked for square and alignment. Lathe turned balls and rods are fully hand polished before being assembled and soldered together, followed by final polishing prior to electroplating.



## BATH RACK WITH MAGNIFYING MIRROR

Our Bathrack with Mirror features a rotating two sided framed mirror, one side magnifying 3X.

Our bath-racks have extendable side rests.







## SINGLE TOWEL BAR

Sterlingham Towel Rails combine numerous lathe turned parts with heavy gauge brass tube or glass rod as shown above. Every component is hand polished and assembled after plating. In this way we ensure that each part is plated to perfection and far superior to diecast fittings.

Our Single towel rails can be ordered in bespoke lengths and are offered in a choice of plated or glass rail.

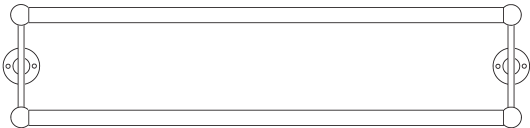
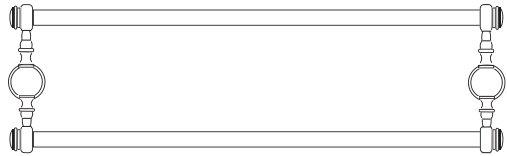
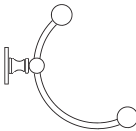
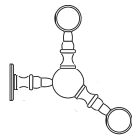
*(We recommend that glass rails over 760mm have a central support bracket added.)*

## DOUBLE TOWEL RAIL

Like our single towel bar, Double Towel Rails may optionally be ordered with glass rails or brass rails.

We offer a choice of design – the sculptural Classic or the Crescent. Both are available to custom lengths.

*Choice of exposed screws as pictured or concealed fixings*



## RING AND HOOKS



Towel Ring

The ring is constructed from sturdy 12.5mm brass tube hand rolled to provide 150mm inside diameter, together with a co-ordinating wall bracket.



Double Coat Hook

Our double coat or robe hook is of classic design and features turned detail to the ball finials.



Towel Hook



Double Robe Hook

One of our original co-ordinating designs from 1986 the horizontal Double Robehook comprises component parts which are lathe turned and hand polished.

*Choice of exposed screws as pictured or concealed fixings*

## SOAP OR SPONGE BASKET



The Soap or Sponge Basket shown is 160mm wide and projects 142mm. This can also be made to bespoke sizes.

Sterlingham soap baskets, sponge baskets and bath-racks are amongst the most labour intensive in our product collection. The basket “wires” are individually hand bent and checked for square and alignment. Lathe turned balls and rods are fully hand polished before being assembled and soldered together, followed by final polishing prior to electroplating.

*Choice of exposed screws as pictured or concealed fixings*

## SOAP AND SPONGE BASKET

The Soap & Sponge Basket shown measures 320mm wide x 170mm projection. We have made specials to suspend below cupboards overhanging a kitchen worksurface. The standard model as pictured is ideally suited to the bath side wall or shower wall.



## THREE TIER SHELF

The Sterlingham three tier shelf can be supplied to bespoke sizes.



## SHELF WITH LIFTING GUARD RAIL

The Sterlingham shelf can be made bespoke. The standard size is 610mm (24") wide and is fitted with 6mm thick glass and a hinged guard rail which can be lifted for easy cleaning of the 6mm thick glass.

*Choice of exposed screws as pictured or concealed fixings*



wall mounted

## WC BRUSH

Locally sourced English white ceramic ware is chosen for the brush handle and pot which is mounted on wall bracketry hand made from a variety of solid brass materials. The brush is suspended so that the bristles maintain their shape. A spare brush head is supplied.

The brush handle and pot are mounted on a substantial 125mm diameter solid brass disc and elegant base fitting. The brush is suspended so that the bristles maintain their shape. A spare brush head is supplied.



freestanding





## PAPER HOLDER - FREESTANDING

Combining numerous individual lathe turned parts with heavy gauge brass tube all components of the Sterlingsham free-standing paper holder are individually hand polished and are assembled after plating. In this way we ensure that each part is plated to perfection and the finished product is of vastly superior quality.

Unlike others that have a hollow or sand-filled base the Sterlingsham product has a heavy disc of solid brass surmounted by an elegantly detailed fitting to provide support and stability for the paper holder which features a lift-off roller.

## FREESTANDING WC BRUSH & HINGED PAPER HOLDER COMBINED



# BATHROOM STANDS



These beautiful bathroom Stands are 810 tall in rectangular (500 x 350) or square (350 x 350) versions and have adjustable feet for uneven floors.



Individually quoted for and custom made we offer a choice of 2 leg, 3 leg, 4 leg, 5 leg, 6 leg and 8 leg basin stands with glass hanging rails or brass as pictured, in single basin or double basin styles. There is also a choice of ball feet or ball and taper feet. All models perfectly complement our Stourton and Enville Towel Warmers.

*Right : Single 4 leg washstand with three towel warming rails.*

*Below: single 2 leg washstand*



*Mastercraft taps courtesy of Barber Wilsons & Co. Ltd. London*



## wall light - DECO ERA

Our Deco lamp is offered in a choice of two lengths – 420mm and 620mm.

Bulb changing is easy - unscrewing the top ball allows removal of the stepped fitting and opal shade thus providing access to the two bulbs. Incoming supply connections are made to a ceramic wiring block. Heatproof wiring is ready fitted to the two ceramic lampholders.

- rated IP44

## wall light - BISTROT GLOBE

The 125mm globe shade is supported on a gallery machined from a solid block of brass. This in turn is fitted to a weighty turned wall fixing.

Like all our products, this product is hand-made with the Sterlingsham philosophy – that even though it is intended to be mounted where no-one can feel the quality you will know that your purchase is solid and will never need replacing due to mechanical failure.



ART DECO COLLECTION - CRAFTMASTER





Created to be the perfect match for Barber Wilsons Mastercraft taps and mixers, our Craftmaster range of bathroom accessories delivers in all respects. Presented here in a limited collection of seven pieces there is scope for creating other individual items such as sponge baskets .

## PAPER HOLDER



## TOWEL HOLDER

Towel Holder with  
150mm diameter ring

## double ROBE-HOOK



## oval SOAP DISH & HOLDER



## ART DECO MIRROR

Round bathroom mirror, with tilt adjustment.  
645 wide x 520 high

## shelf with FRONT GUARDRAIL



*Taps courtesy of Barber Wilsons & Co.Ltd, London*

## deco TOWEL rail



Towel rail 520mm overall.

Available Bespoke. (The overall size will be the exposed rail length chosen plus 114mm)



## deco shelf

Shelf fitted with 610mm long glass and adjustment to allow for easier fitting.



For over 25 years our craftsmen have delivered excellence in product quality and customer service.

Materials and services are 95% sourced from Midlands suppliers, the remainder from within the United Kingdom. We are committed to being different and apart from the run of the mill "stuff" that fills the shopping malls. Every item is individually hand crafted, hand assembled and inspected. Our products feature in the Made by Hands of Britain website which champions the artisan.

We make a number of products specially for other bathroom re-sellers and undertake special commissions for architects and designers.

THE STERLINGHAM CO. LTD.



“WE PASSIONATELY BELIEVE THAT WHEN YOU INSTALL STERLINGHAM, YOU INSTALL THE BEST.

AND IT'S NOT EVEN THE MOST EXPENSIVE”.



DESIGNED & WORKED EXCLUSIVELY

BY

THE  
**STERLINGHAM**  
COMPANY LIMITED

THE STERLINGHAM CO. LTD • UNITS 2 & 2A • STAMFORD STREET • AMBLECOTE • STOURBRIDGE • WORCESTERSHIRE • ENGLAND • DY8 4HR